

Roll-n-Go Model PWC Operating and Assembly Instructions and Warranty

Tools needed: 9/16" combination wrench and 9/16" socket with short extension, pliers for cotter pin, medium to large adjustable wrench for winch handle.

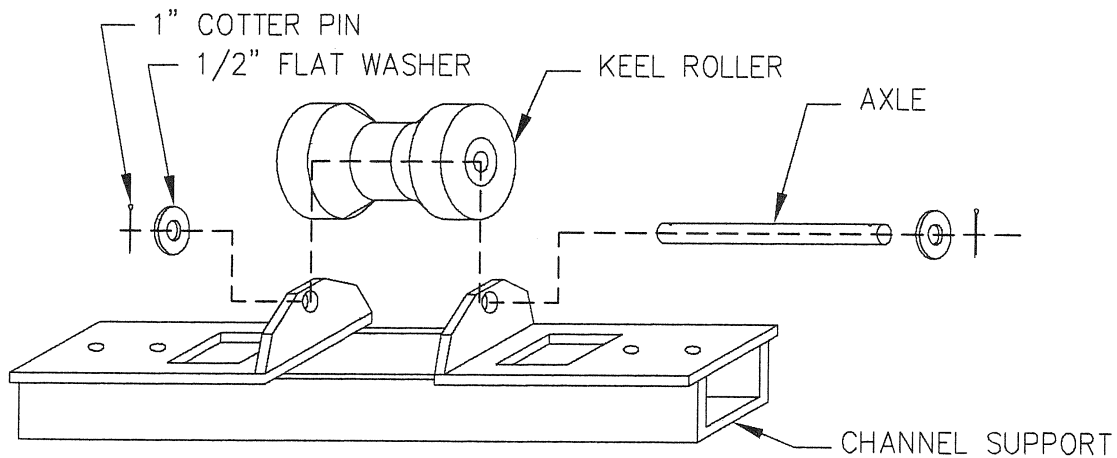
Never use impact or other high speed wrenches with stainless steel hardware without lubrication of threads. Otherwise seizing may occur.

Kit includes:

Qty.	Part	Qty.	Part	Qty.	Part
2	94" channels	In Bag:		In Hardware Bag:	
1	Keel channel support	1	Keel roller axle	15	3/8 x 2 3/4" hex bolt
1	Post Assembly	1	Backing plate	2	3/8 x 4" hex bolt
1	Winch Mast	2	Plastic end caps	16	3/8 x 1" hex bolt
3	Cross member	14	Plastic rollers	34	3/8 nylock nut
1	Left angle support	1	Keel Roller	2	1/2" flat washer
1	Right angle support			2	1/8 x 1" cotter pin
1	Winch				
1	Winch handle				

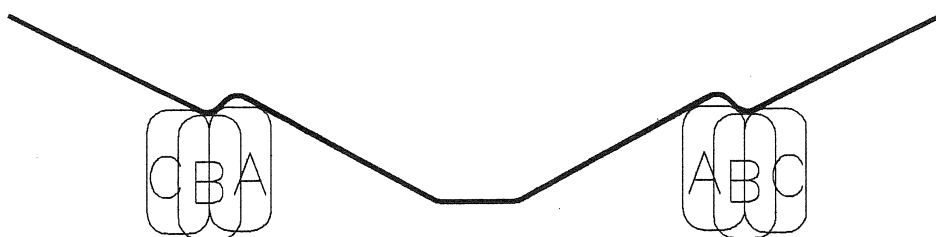
ASSEMBLY:

1. Install keel roller as shown below with 1/2" pin, (2) 1/2" washers and the (2) 1" cotter pins.



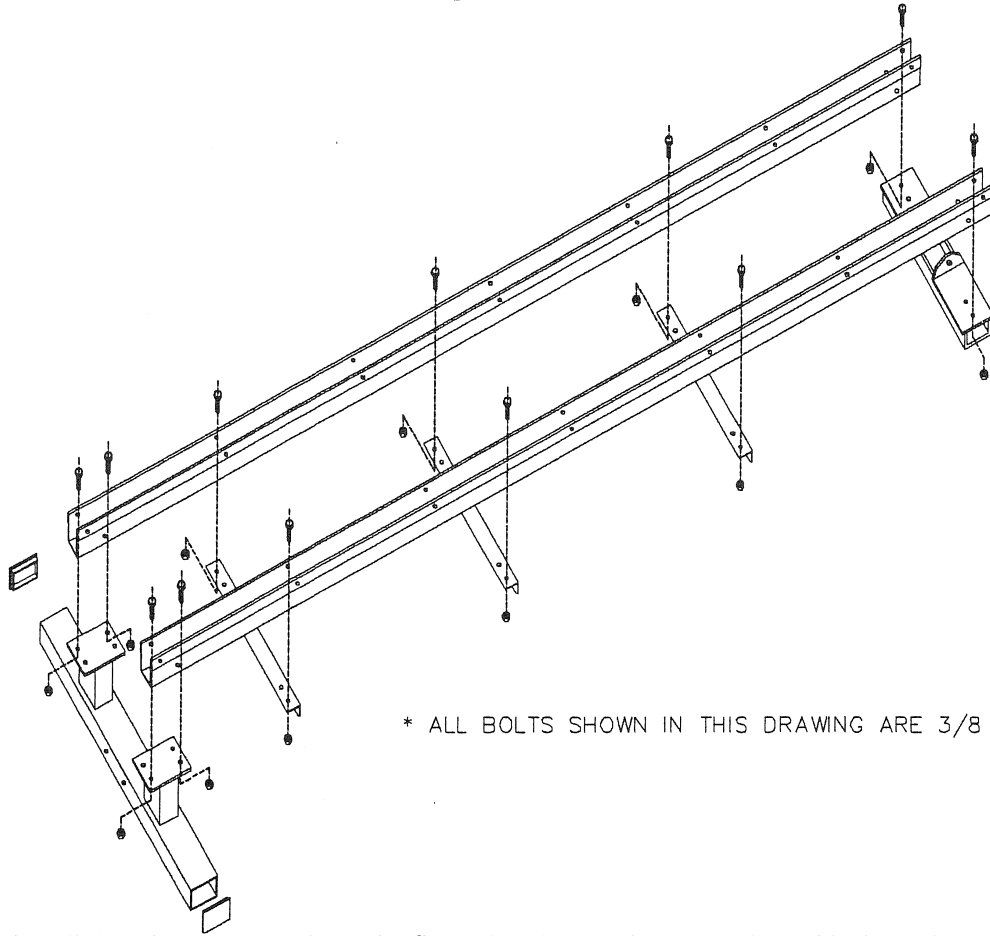
2. Determine the proper rail spacing for your PWC. There are two sets of holes on all crossmembers and supports. Measure the strakes (the longitudinal ridges along your hull) at the stern. You should choose a the widest rail spacing possible *without* duplicating the measurement at point "B" in the diagram below. Otherwise, your PWC will sit tilted on your shore ramp. Although hull styles change, at the time of this printing, most PWCs with the exception of some Kawasakis and stand-up models use the widest rail setting. The widest rail spacing is 14 1/2" on-center and the narrowest is 11 1/2".

TYPICAL PWC HULL



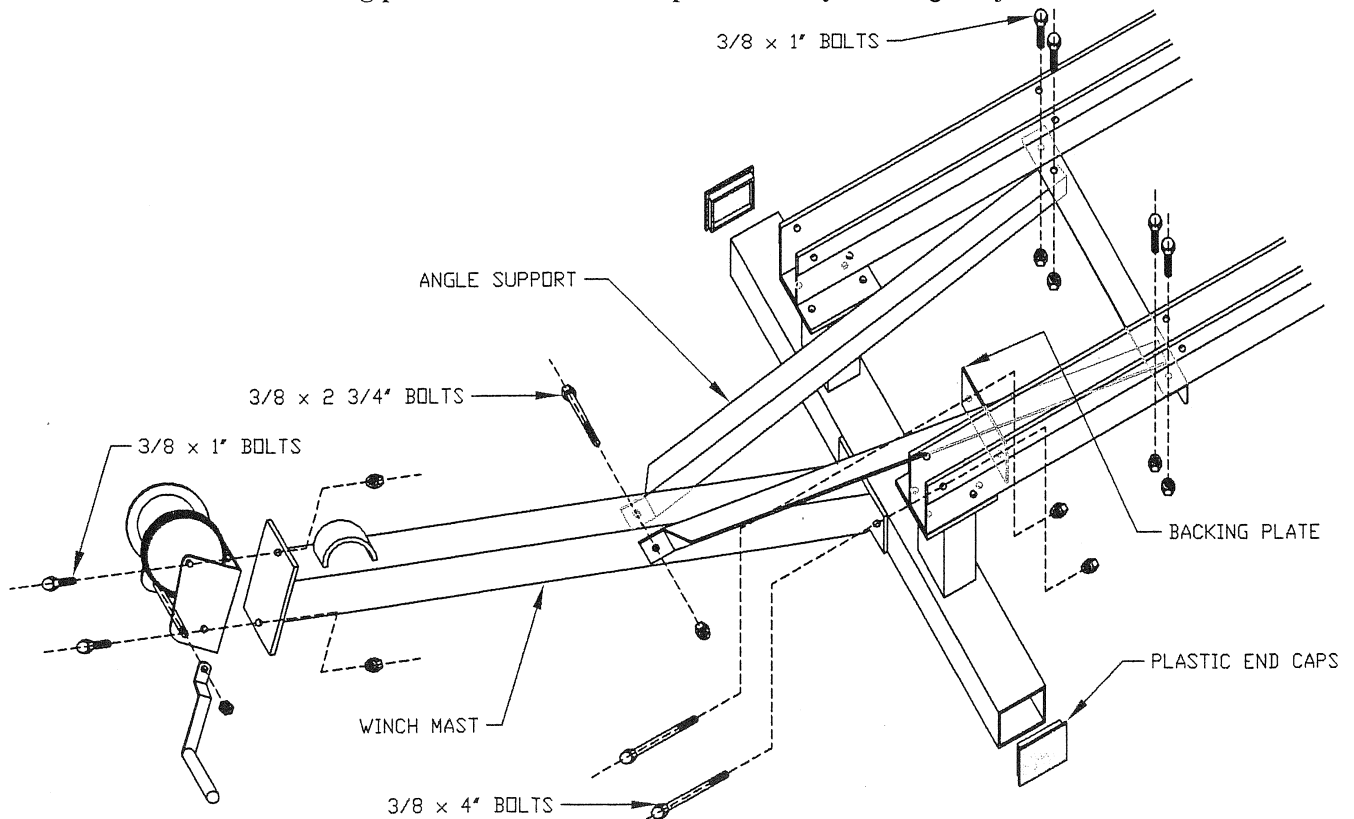
Roller spacing "A" and "C" are good.
Roller spacing "B" will result in a tilt.

3. Carefully tap the two rectangular plastic caps into the ends of the front post assembly.
4. As shown below, assemble the main rail section as shown with $3/8" \times 1"$ bolts and locknuts. Note: The two ends of the rails are not identical. Use the 2 rails, the keel roller cross member the front post assembly and the 3 cross members. The open side of those cross members should face forward (toward the post assembly) as shown. **Leave the nuts LOOSE for now.**

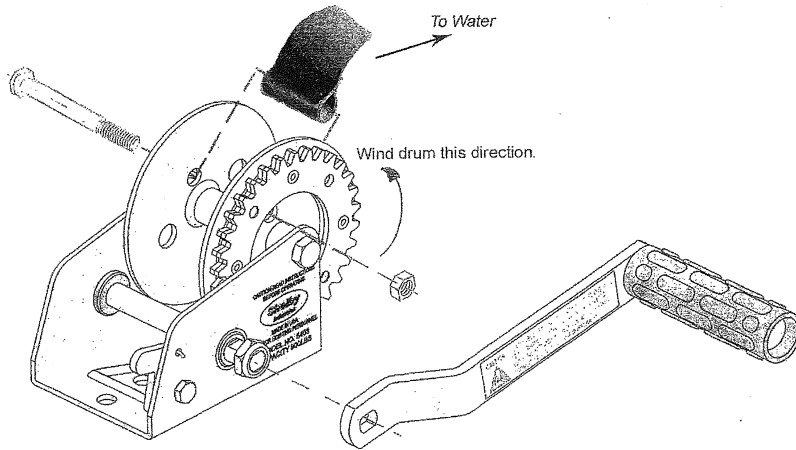


* ALL BOLTS SHOWN IN THIS DRAWING ARE $3/8 \times 1"$

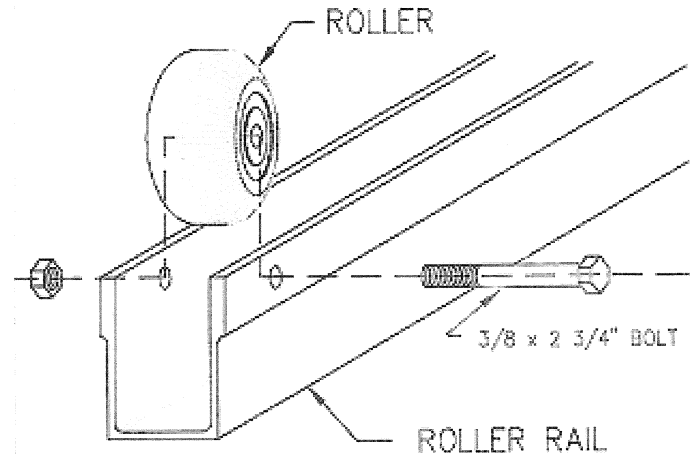
5. As shown below, install the winch mast as shown by first using the (2) $3/8" \times 4"$ bolts and locknuts into the base of the rail stand. **You must install the backing plate behind the base of post assembly.** Now tighten just those two bolts.



6. Next, attach the left and right mast angle supports to the bottom side of the forward cross member. The aft ends of the angle supports attach to the inside holes of the cross member, regardless of the rail spacing selected. Leave nuts loose
7. Then attach the left and right mast angle supports and the mast as shown using a 3/8" x 2 3/4" bolt and a locknut.
8. Make sure the rails are square with the cross members then **TIGHTEN ALL NUTS AND BOLTS.**
9. Install the winch with two 1" bolts and locknuts. Be certain the bolt heads are on top. If installed upside down, the threaded end will interfere with the winch strap. Install the winch handle and strap as shown.
10. Install wheels as shown. The nut and bolt should only be snug against the rail. **Do not squeeze rail in.**



Installing Winch Strap



TO OPERATE:

1. Position the Roll-N-Go on the shore so the keel roller is a few inches underwater. The best position will depend on your PWC and the slope of the shoreline.
2. The Roll-N-Go should be located in a stable position. **IT IS DESIGNED FOR GRADUAL SHORELINES ONLY.**
3. To dock, dismount PWC in shallow water, line up center of bow with keel roller and hook on. Engage winch ratchet and crank up.
4. To launch, grasp winch handle, unload the weight from ratchet and disengage ratchet. **ALWAYS KEEP A TIGHT GRIP ON HANDLE! NEVER TRY TO GRAB A RUNAWAY HANDLE!! SERIOUS INJURY CAN RESULT.** Crank down PWC completely into water and unhook. **THE ROLL-N-GO IS NOT DESIGNED TO LET THE WATERCRAFT "FREEWHEEL" DOWN THE RAMP**
5. **NEVER ALLOW CHILDREN TO OPERATE THE ROLL-N-GO.**
6. **NO PERSON SHOULD BE ABOARD A PERSONAL WATERCRAFT WHILE IT IS ON THE ROLL-N-GO.**

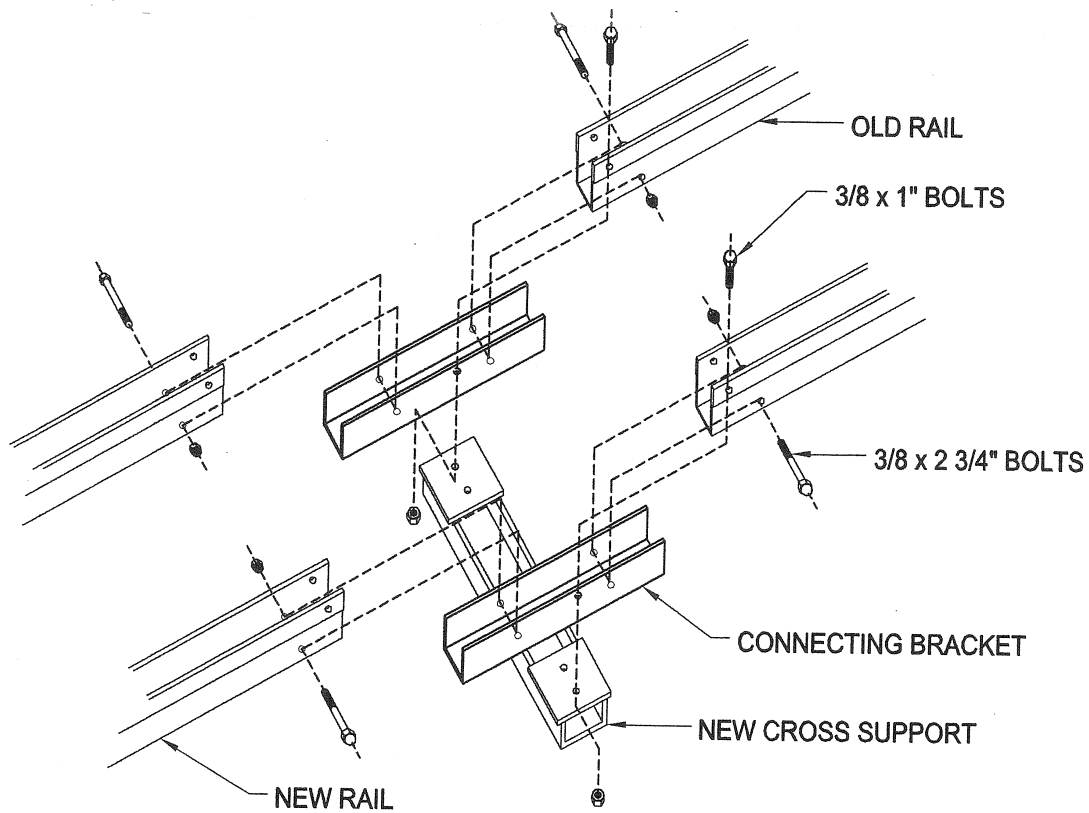
ADDING EXTENSION SECTIONS:

IMPORTANT: An extended Roll-N-Go must be used in accordance with the following criteria:

- A. Both rail sections must lie in line with each other. (no up and down angle)
- B. The Roll-N-Go must be fully supported at both ends AND at or near rail connections. This may be accomplished by terrain adjustment or blocking. Blocking should only be used if it is stable enough to insure complete and safe support.
- C. An anchor kit for the winch end is recommended with the use of an extension. Order from sales at (866) 876-5548

Assembly of extension section:

1. Remove the two plastic rollers from your original Roll-N-Go nearest the keel roller end. Remove the keel roller assembly. It will be used at the water end of the new rail section.
2. Assemble the new rail section as with the base kit, except for the rollers. Leave the nuts loose.
 - * Use the keel roller assembly that you removed from the base kit.
 - * There is no front leg stand assembly with the add-on rails.
3. Install connecting brackets as shown below using two 2 3/4" and one 1" bolt for each bracket. The 1" bolt goes through the old rail, then the connecting bracket, then the new cross support.
4. Tighten all bolts.
5. Re-install the two plastic rollers that were removed in step 1. Install the wheels for the new rail section. You will not use the holes on the end adjacent to the old rails.
6. In some cases, when adding new rail sections your winch strap may not be long enough, depending how far into the water you set the ramp. You may replace it using rope or cable with a hook and the appropriate hardware



Roll-n-Go® Limited Warranty

Roll-n-Go, Inc. warrants to the original consumer-purchaser, all products against manufacturing and material defects for a period of 5 years from date of consumer purchase under normal and reasonable use when assembled correctly, with the following limitations and exclusions:

1. Warranty period is limited to 2 years when used in salt water.
2. Warranty does not apply if product is misused, used for other than its intended purpose, if the ramp is modified in any way or if supported watercraft (including motor, gear and fuel) is beyond the stated weight limit. Purchaser must make reasonable judgements as to the proper application with regard to steepness of slope upon which installed, the extent of anchoring to be used and adequate support of the system. The systems are not designed to operate with rail spans longer than those provided by cross support members nor with rail sections amended in any way as to alter their straight-line alignment
3. Warranty shall become void if any expressed or implied safety cautions are not adhered to. For example, hand winch operation can be hazardous if not used properly. It is the responsibility of the owner to become familiar with all safety precautions prior to use.
4. Warranty is limited to the replacement of Roll-n-Go Shore Ramp parts only. Damage to watercraft or other property resulting from the use of Roll-n-Go Shore Ramps is excluded. In any case, Roll-n-Go's liability shall be limited to the original retail cost paid for the Roll-n-Go Shore Ramp.
5. This warranty extends to original retail purchaser only and is not transferable.
6. Customer is responsible for all shipping costs for returned and replacement parts. All shipments to be prepaid and delivered to the manufacturer and not the place where purchased.
7. A dated sales receipt shall accompany all warranty claims.
8. This Warranty shall not include any damage or injury resulting from the transportation, assembly or positioning of the Ramp.
9. If you wish to obtain performance of any obligation under this limited warranty, you should write to the address herein contained above.
10. All implied warranties, including the implied warranties of merchantability and fitness for a particular purpose, are limited to the duration of the expressed warranty periods specified above.

This warranty gives you specific legal rights and you may have other rights, which vary state to state. Certain components, in particular winches, may be manufactured by outside sources and are subject to the warrant of their original manufacturer.

RNG Corporation
 6549 Harbor Place
 Prior Lake, MN 55372
 (952) 233-5253 www.roll-n-go.com